



Application

Weighing of pallets or containers during handling is an immediate advantage of the weighing pallet truck.

Checks of goods during reception, shipment or inventory are facilitated and minimised to make your work easier.

The 4-sensor manual weighing pallet truck is ideal for weighing european pallets.

The TPN1-B Access was designed for intensive and industrial use.

General presentation



Display:

- Six 25 mm digits LCD with backlight.

Keypad:

- 5 Touch-sensitive keys.

European directives

- Directive 89/336/CEE related to Electromagnetic Compatibility.
- Directive 98/37/CEE related to machines.

Available models

HML Model (No trade use):

Model	Max.	d
TPN1-B Access	2 000 kg	1 kg

Data

- Manual weighing pallet truck : 4 load cells.
- Capacity : 2 000 kg.
- Interval : 1 kg.
- Maximum error : 0,1 % of the weighed weight.

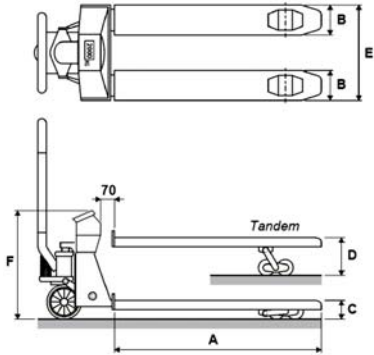
Functions

- Tare, Gross, Net.
- Simple weighing.
- Summation.
- Automatic power down when not used.

Technical characteristics

Dimensions :

- A - Fork length 1 170 mm
- B - Fork width 180 mm
- C - Minimum height 85 mm
- D - Maximum height 200 mm
Lifting height 115 mm
- E - Overall fork width 550 mm
- F - Indicator height 520 mm



- Mass 120 kg
- Steered wheels polyurethane
- Load wheels polyurethane

Environmental characteristics

- Power supply 4 AA batteries
(supplied)
- Endurance up to 40 hours

Your weighing specialist



Illustrations are not contractual. Precia-Molen reserves the right to modify at any time, without prior notice, the information contained in this leaflet.

Offices and Factory
P.O. Box 106 - F 07000 Privas - France
Tel. 33 (0) 475 664 600
Fax 33 (0) 475 658 330
E-MAIL webmaster@preciamolen.com
RCS : 386 620 165 RCS Aubenas

