

R4 LPW lift range Stainless steel low profile platform scales



Application

The R4 LPW platform scale is a low profile platform scale especially designed to weigh any type of travelling load. The height difference, 35 mm for the 800 x 800 and 1 000 x 800 models, and 45 mm for the 1 250 x 1 000 and 1 500 x 1 500 models, offers easy passage of any travelling equipment.

The R4 LPW range offers a wide array of models. Its design corresponding to the EHEDG norm is based on an entirely stainless steel (ASI 304) structure and load cells of a 0.8 µm roughness and meets all hygiene and cleanliness requirements.

The total lifting of the platform by one person* using 2 pneumatic jacks ensures easy and complete cleanliness with a high pressure water jet of the upper and lower parts of the platform.

European conformity

Compliant with the definition of a classical platform scale according to the WELMEC 2.4 guide.

Available models

Legal for Trade

Dimensions	300 kg / 100 g	600 kg / 200 g	1 500 kg / 500 g
800 x 800	M	M	×
1 000 x 800	M	M	×
1 250 x 1 000	×	M	M
1 500 x 1 500	×	M	M

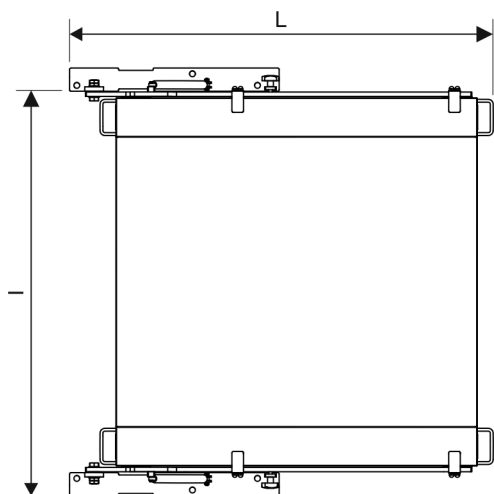
Non Trade

Dimensions	300 kg / 20 g	600 kg / 50 g	1 500 kg / 100 g
800 x 800	■	■	×
1 000 x 800	■	■	×
1 250 x 1 000	×	■	■
1 500 x 1 500	×	■	■

* Except 1500x1500 model (2 people).

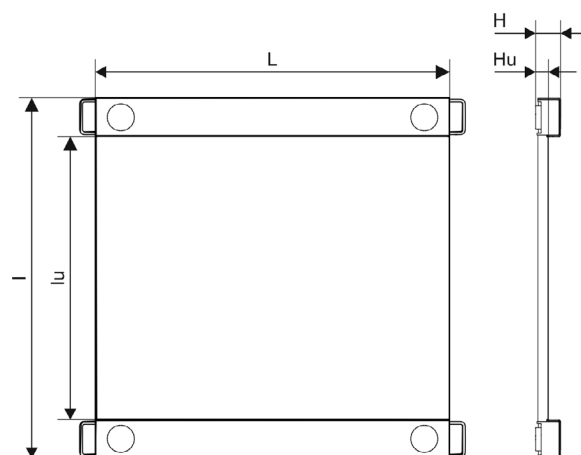
Mechanical characteristics

Platform with lifting system



	800 x 800	1000 x 800	1250 x 1000	1500 x 1500	
L	1015	1215	1465	1715	mm
l	1266	1266	1476	1976	mm
Wt	113	133	203	296	kg

Platform only



	800 x 800	1000 x 800	1250 x 1000	1500 x 1500	
L	800	1000	1250	1500	mm
l	1070	1070	1270	1770	mm
ul	800	800	1000	1500	mm
H	88	88	88	88	mm
uh	35	35	45	45	mm
Wt	70	85	130	200	kg

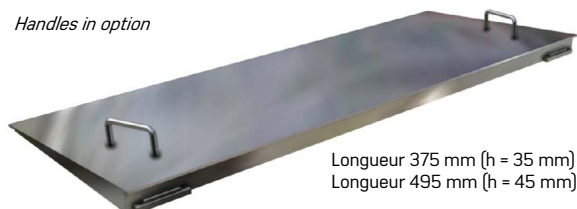
Metrological characteristics

Model	Capacity (kg)	Scale division (g)	CSI load cell		Max. tare offset (kg)
			Vmin (g)	Emax (kg)	
800 x 800	300	100	25	300	0
	600	200	42	500	0
1000 x 800	300	100	25	300	0
	600	200	42	500	0
1250 x 1000	600	200	42	500	0
	1500	500	67	1000	0
1500 x 1500	600	200	42	500	0
	1500	500	67	1000	0

Options & Accessories

Access ramps

Handles in option



Longueur 375 mm (h = 35 mm)
Longueur 495 mm (h = 45 mm)

Other options

- Option

Your specialist

Illustrations not contractual. Precia-Molen reserves the right to alter the characteristics of the equipment described in this brochure at any time.

PRECIA-MOLEN Headquarters & Factory
BP 106 - 07000 Privas - France
Tel. 33 (0) 475 664 600
Fax 33 (0) 475 664 330
E-MAIL webmaster@preciamolen.com

RCS: 386 620 165 RCS Aubenas

**PRECIA
MOLEN™**
WORLDWIDE WEIGHING